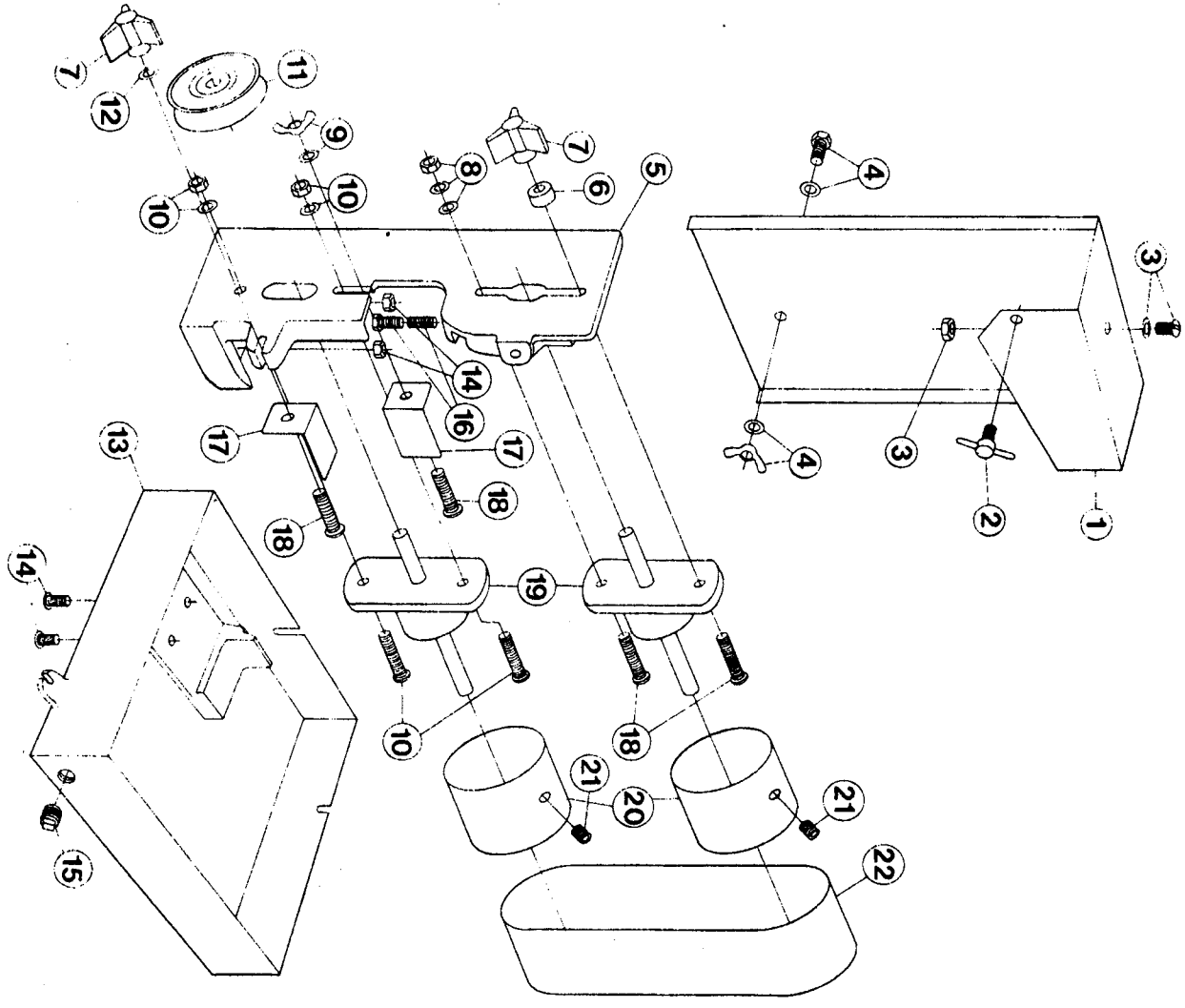


model 464
wet sander



- 1 hood
- 2 1/4-20 x 1/2" t. bolt
- 3 1/4-20 x 1/2" t.h. bolt, fiber washer, nut
- 4 1/4-20 x 5/8" h.h. bolt, fiber washer, 1/4" washer, wing nut
- 5 #124 upright bearing casting
- 6 1/4" thick washer
- 7 1/4-20 tri-knob
- 8 1/4-20 plastic lock, lock washer, 1/4" washer
- 9 1/4-20 wing nut and washer
- 10 1/4-20 x 1 c.c. bolt, sae washer, nut
- 11 3/8" pulley
- 12 1/4" washer
- 13 #42 tank
- 14 1/4-20 x 1 1/4" f.h. bolt and nut
- 15 3/8" pipe plug
- 16 1/4-20 x 1 1/4" h.h. cap screw and spring
- 17 backing plate
- 18 1/4-20 x 1 1/4" c.c. bolt
- 19 #142 arbor
- 20 #109 sanding roller
- 21 3/8 x 1/2 socket set screw
- 22 sanding belt 3 x 24

