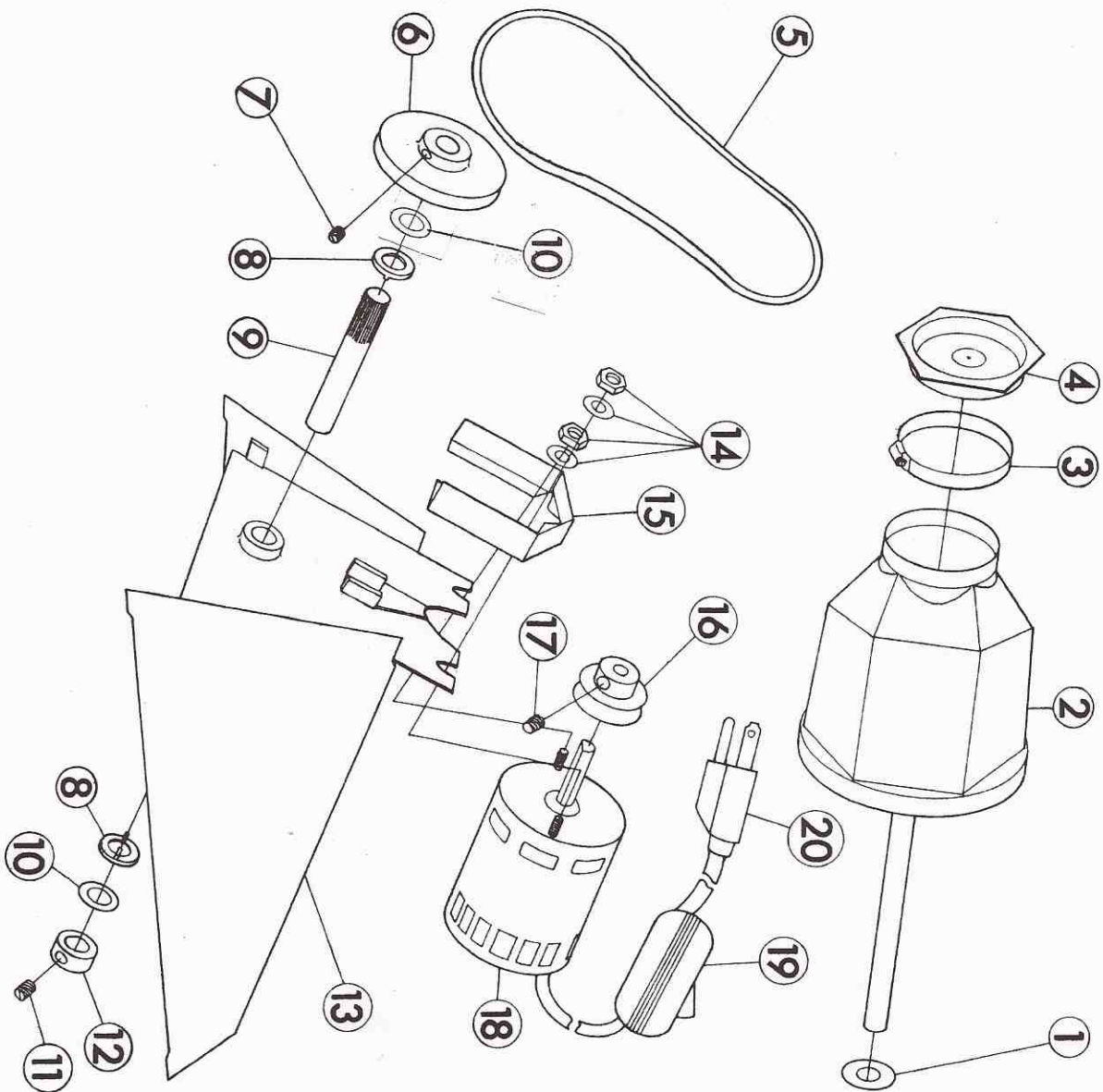


model 250  
tumbler



- 1 3/8 x 1 x 1/16 fiber washer
- 2 tumbler barrel
- 3 clamp
- 4 cap with 1/8 hole
- 5 0200 or 2L200 V-belt
- 6 350 x 3/8 driven pulley
- 7 5/16 - 18 x 3/8 set screw
- 8 7/16 nylon bushing
- 9 3/8 x 4 7/8 drive shaft
- 10 3/8 x 3/4 x 1/16 fiber washer
- 11 10/24 x 1/4 set screw
- 12 3/8 cast collar
- 13 A-Frame casting
- 14 8/32 nut and 3/16 x 1 x 1/16 washer
- 15 belt guard
- 16 1 x 4 5/9 pulley
- 17 10/24 x 5/16 set screw
- 18 motor 7163-1832 or 7163-4618
- 19 in-line switch
- 20 plug

