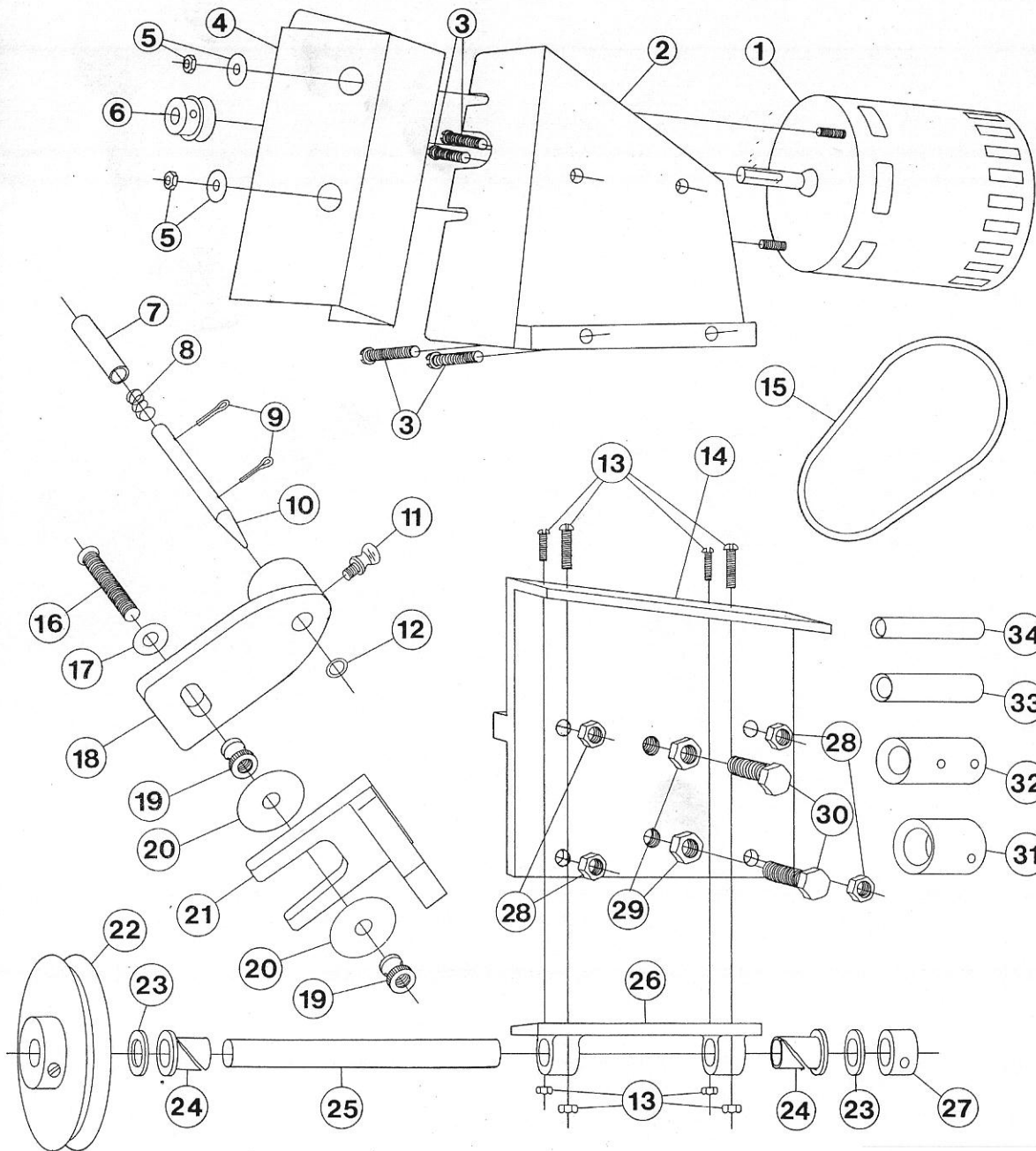
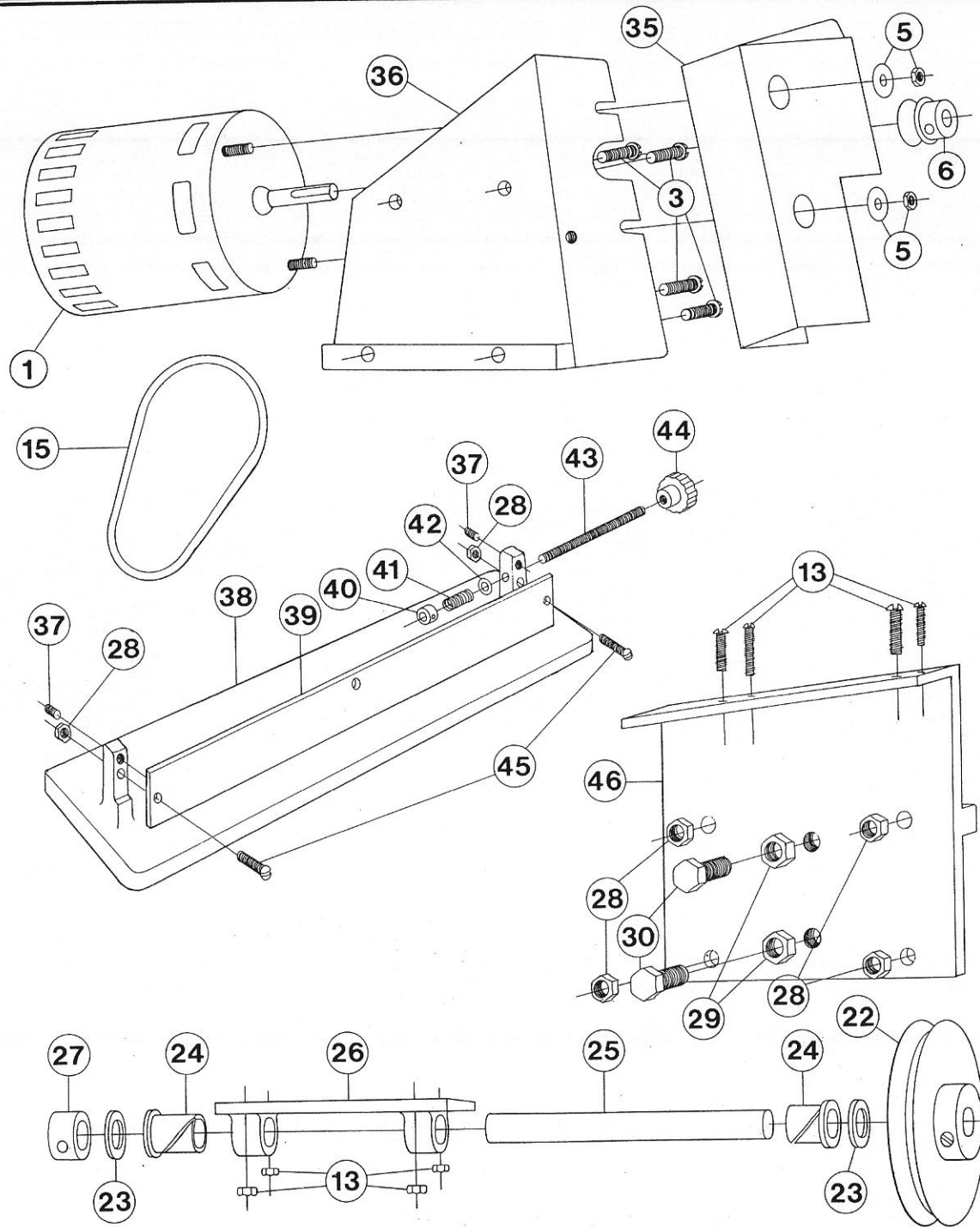


model 382  
sphere maker



- 1 motor a-4300
- 2 motor casting, lt.
- 3 clamp casting screws 10-24x1
- 4 belt guard, lt.
- 5 8/32 nuts with 5/32 x 3/4 washers
- 6 1x459 pulley
- 7 adjusting tube
- 8 tension spring
- 9 cotter pins
- 10 nylon pencil
- 11 brake casting adjusting lock
- 12 1/4" a.n. washer
- 13 10-24 x 5/8 bolts with nuts
- 14 arbor casting, lt.
- 15 2L150 v-belt
- 16 10-24 x 1 1/2 f.h. bolt
- 17 1/4" flat washer
- 18 brake casting
- 19 knurl nut
- 20 1/4 x 1 1/4 fender washer
- 21 grit pan
- 22 400-0-3/8" pulley
- 23 fiber washer
- 24 nylon bearing
- 25 shaft
- 26 bearing casting
- 27 3/8" collar
- 28 10-24 nuts
- 29 1/4-20 jam nuts
- 30 1/4-20 adjusting bolts
- 31 7/8" cup
- 32 5/8" cup
- 33 3/8" cup
- 34 1/4" cup



model 382  
sphere maker

- 35 belt guard, rt
- 36 motor casting, rt
- 37 ¼-20 x 5/8 set screw
- 38 base
- 39 slide bar
- 40 adjusting rod collar
- 41 adjusting rod spring
- 42 washer
- 43 adjusting rod
- 44 knob
- 45 10-24 x 1¼ r.h. screws
- 46 arbor casting, rt

